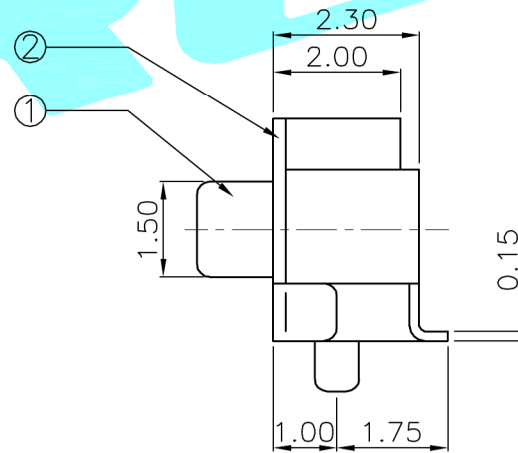
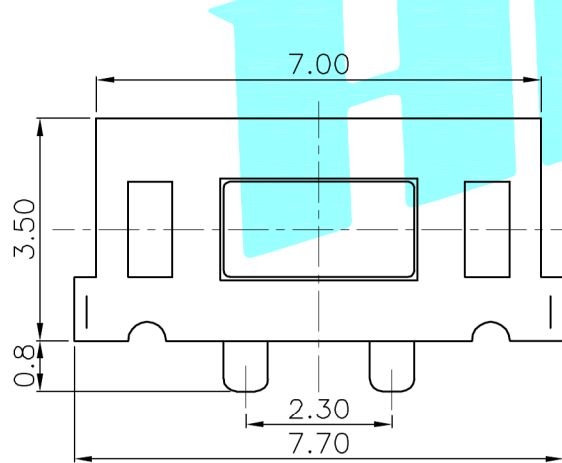


PCB Layout recommended

Circuit diagram



NO.1	
PART NO	vigor
1	90±30
2	130±30
3	180±30
4	250±30
5	350±50

NO.3-NO.4	
PART NO	NOTE
01~99	SERIAL NUMBER

NO.2	
PART NO	MATERIAL/QTY
S	SUS/1PC
D	SUS/2PCS

PART NO.	
K2-1112SA	K2-1112SN

⑤	Terminal	2	Phosphor Bronze	Plating silver		
④	Contact	2	F.Ag/SUS	Natural		
③	Base	1	Nylon	White		
②	Cover	1	Brass(0.20t)	Plating Nickel		
①	Keystoke	1	Nylon	Black		
ITEM	PART NAME	TER'NO.	QTY.	MATERIAL	FINISHING	REMARK

APPROVALS		DATE	HRO 宏 ELECTRONICS CO.,LTD		
DRAWN	J.X.Zhang	2013/6/30	TITLE:	TACT SWITCHS	
CHECKED			PART NO.	K2-1112S□-A□□W-□□	
APPROVALS			TOLERANCES ARE	ANGLE	UNIT: mm SCALE: 1:1 PROJ:
			30~以下: ±0.30	±2'	DRAWING NO. SHEET 1 OF 1
			10~30: ±0.20		
			5~10: ±0.15		
			~ 5: ±0.10		

ECN NO.	REV.	DATE.	DESCRIPTION.	CHANGE.	CHECK.	APPRO.
	A		NEW			